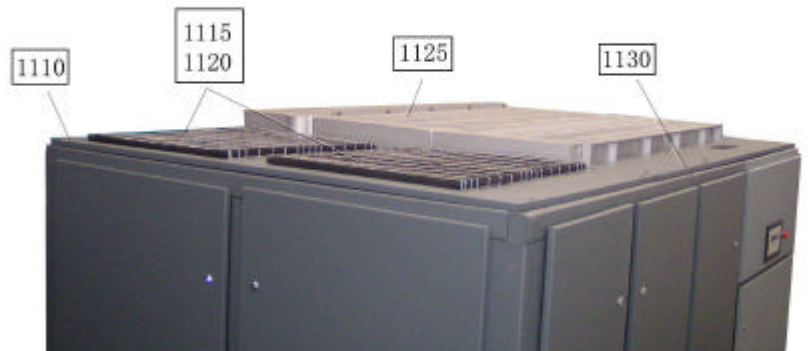
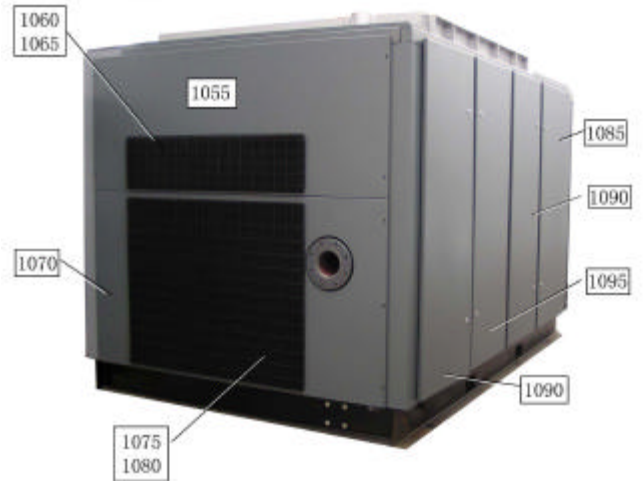


# HY200-250 Screw Air Compressors

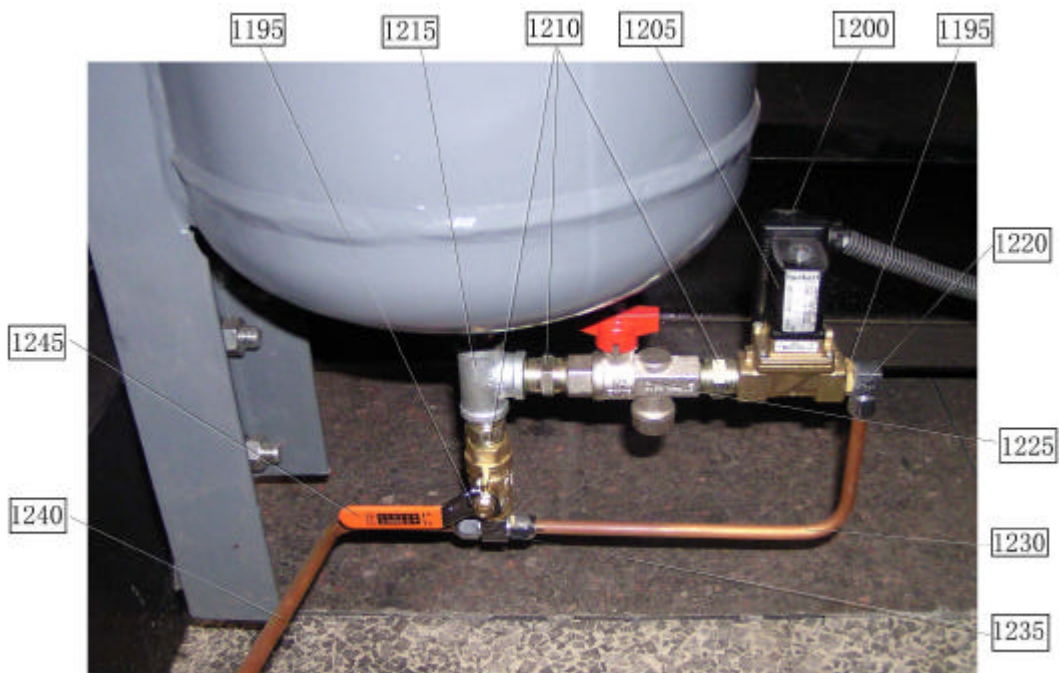
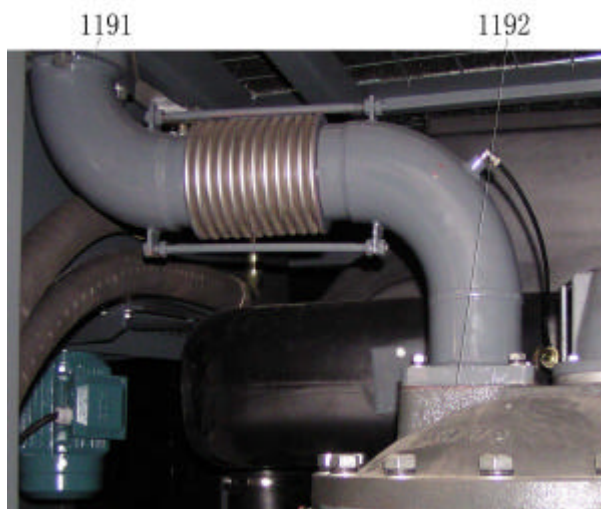
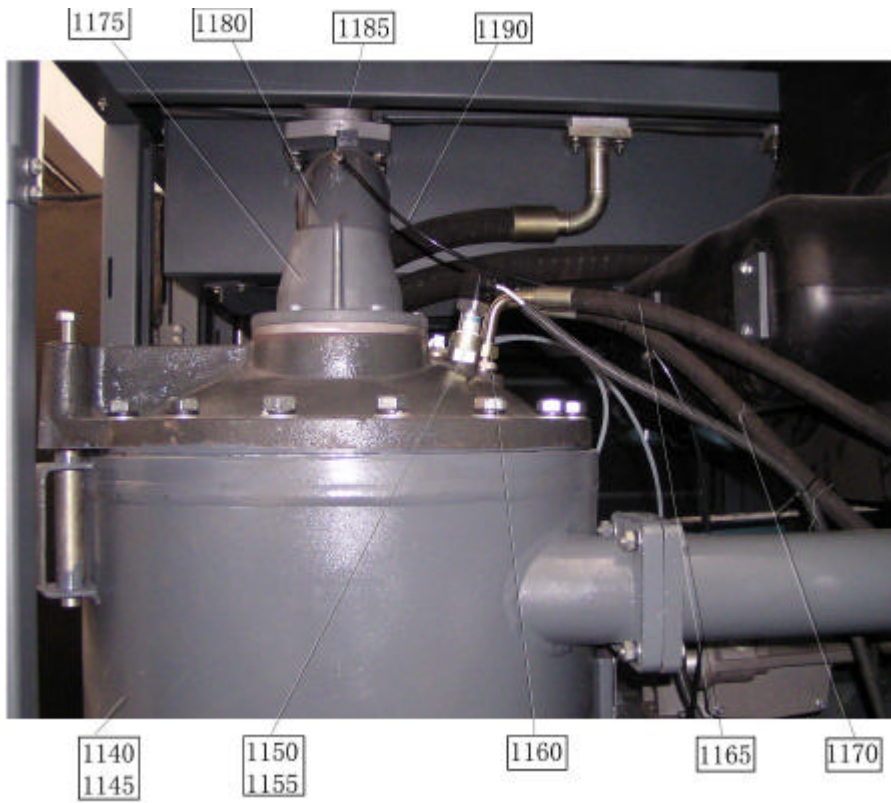
Parts List Book

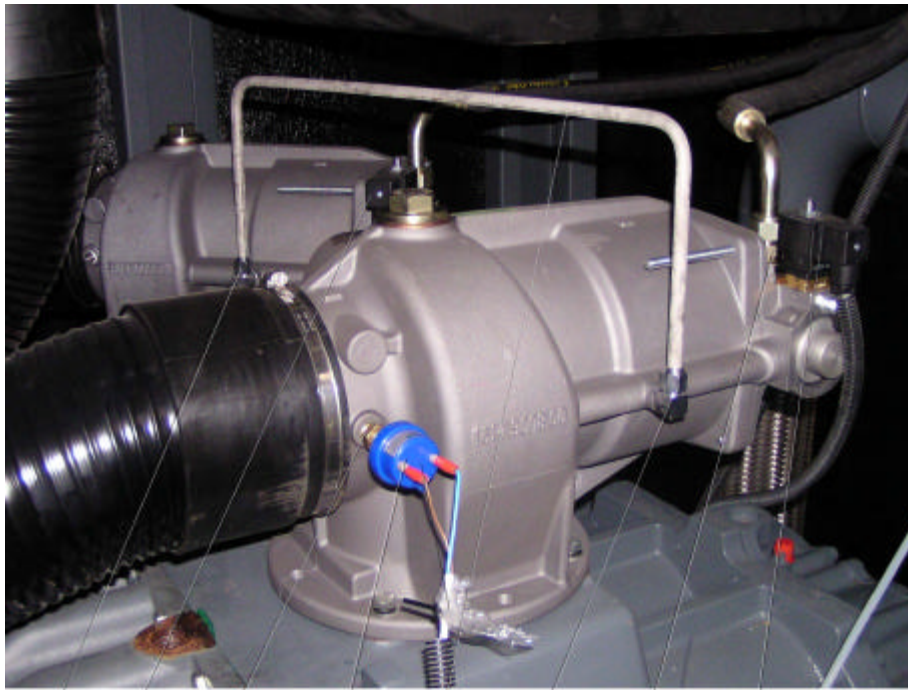
2004



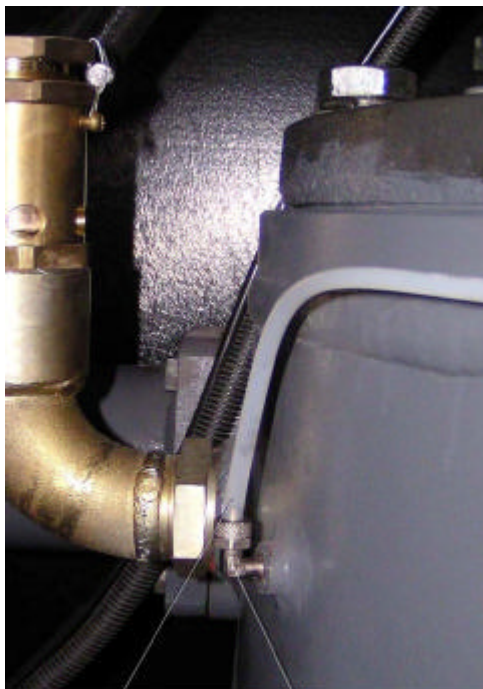
Ref.	Part number	Qty.	Name	Remark
1000	2205128080	2	Door	
1005	2205120980	1	Door	
1010	2205121780	1	Door	
1015	2205121980	1	Door	
1020	2205125800	1	Frame	
1025	2205181380	1	Grating	
1030	2205181400	1	Filtration	
1035	2205129000	1	Door	
1040	1900071031	1	Button	
1045	2205418900	1	Regulator	
1050	2205139511	1	Plate	
1055	2205126900	1	Panel	
1060	2205127080	1	Grating	

Ref.	Part number	Qty.	Name	Remark
1065	2205127100	1	Filter board	
1070	2205127201	1	Panel	
1075	2205127310	1	Grating	
1080	2205127401	1	Filter board	
1085	2205123200	1	Door	
1090	2205122900	2	Door	
1095	2205124400	1	Door	
1110	2205127700	1	Roof	
1115	2205127380	2	Grating	
1120	2205127400	2	Filter board	
1125	2205125100	1	Cooler	
1130	2205128100	1	Roof	
1135	2205127500	1	Roof	

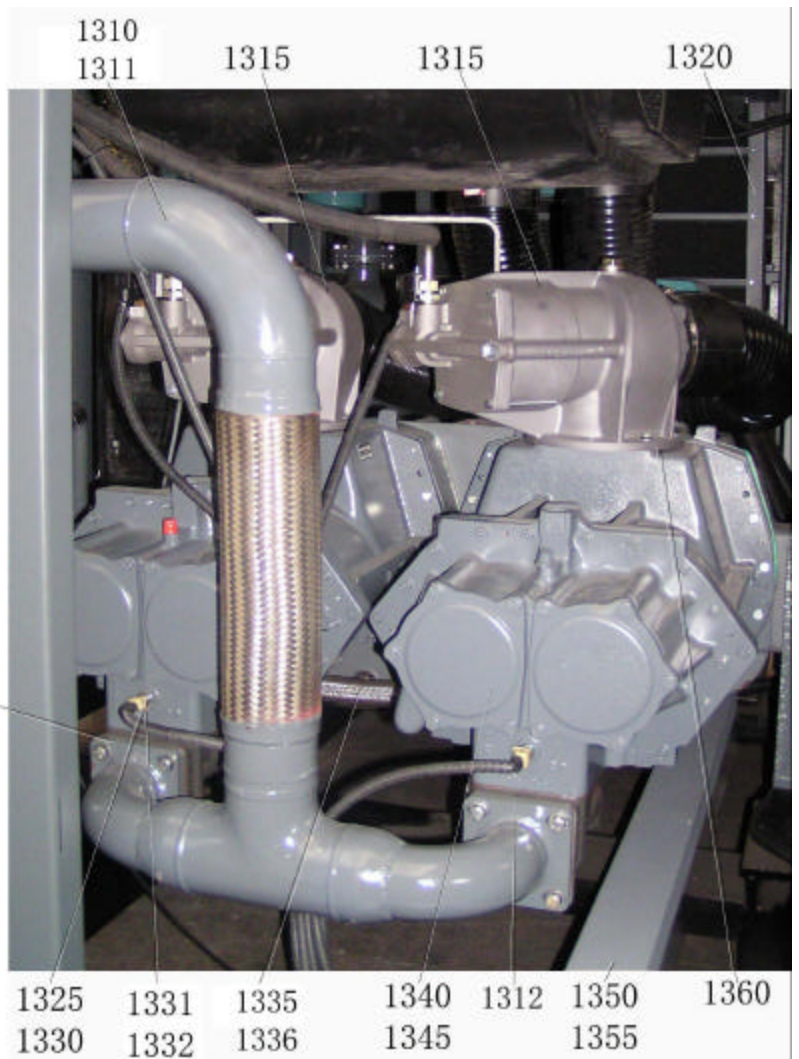




1250 1255 1260 1265 1270 1250 1275 1255



1280 1285

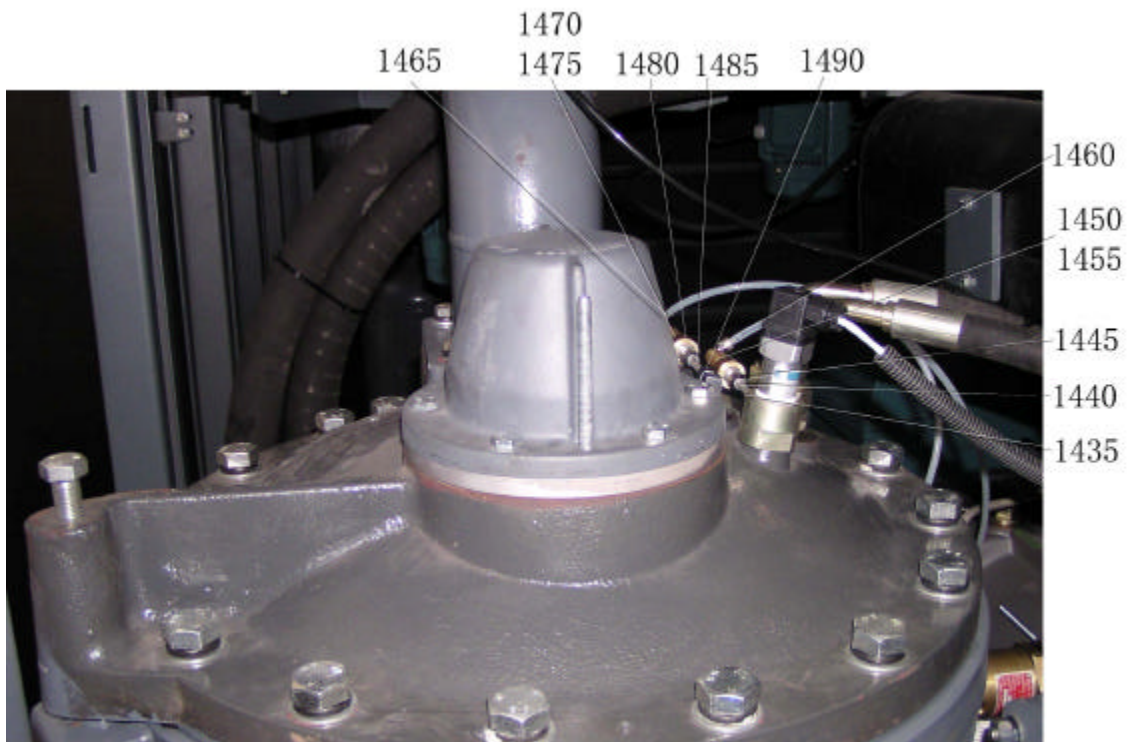
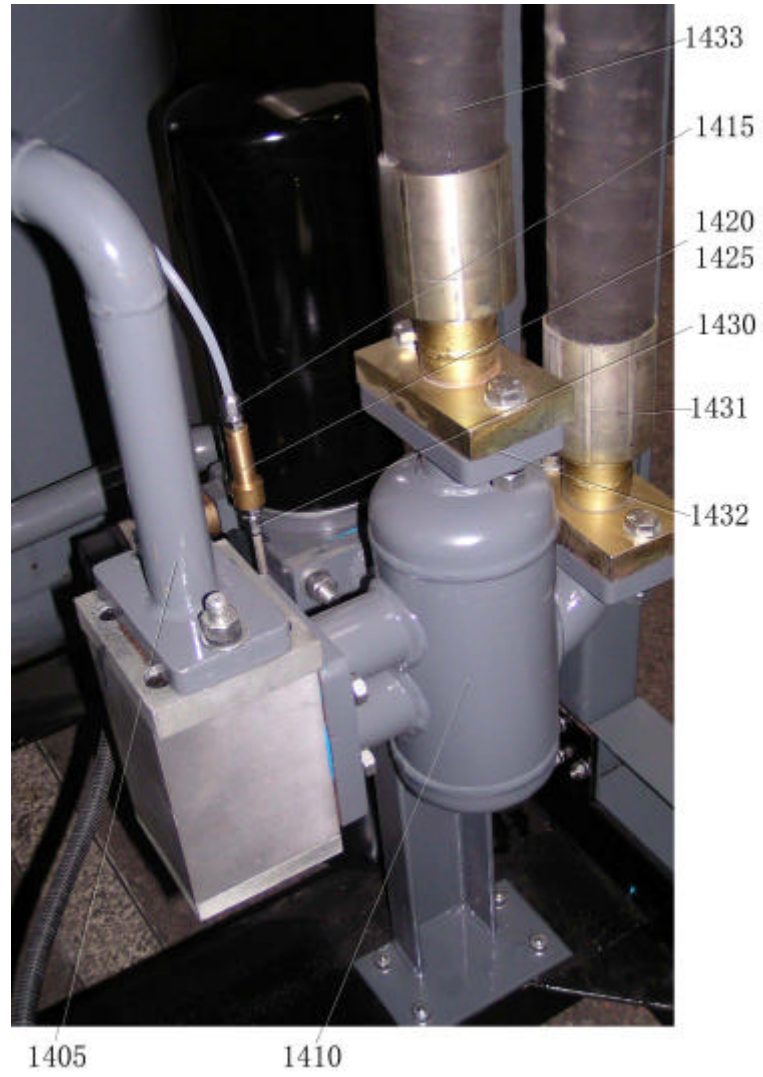
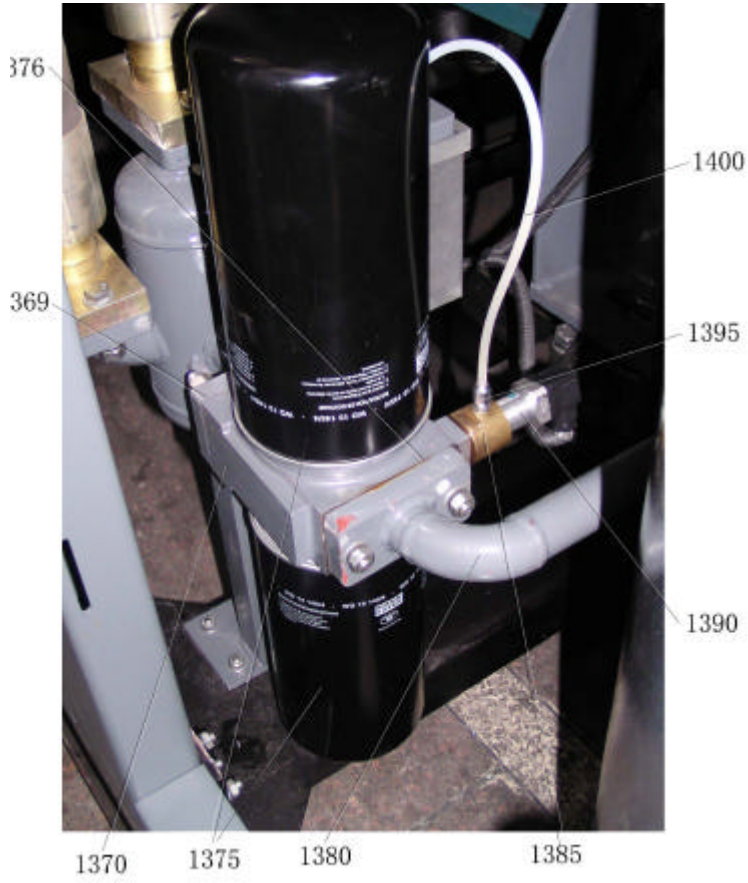


1310 1311 1315 1315 1320

1312

1325 1331 1335 1340 1312 1350 1360  
 1330 1332 1336 1345 1355

Ref.	Part number	Qty.	Name	Ref.	Part number	Qty.	Name
1140	2205125850	1	Vessel	1280	2205124301	1	Nylon Tube
1145	1614952100	1	Oil sep. element	1285	2205433503	1	Elbow coupling
1150	2205124100	1	Pressure Difference Sensor Seat	1310	2205125600	1	Pipe
1155	2205460800	1	Pressure Difference Sensor	1311	0663210620	1	O-ring
1160	2205438700	2	Straight coupling	1312	0663210618	2	O-ring
1165	2205159700	1	Hose	1315	1091616780	2	Unloader valve
1170	2205180300	1	Hose	1320	2205128280	1	Noise elimination plate
1175	1614952380	1	Min.press.valve	1325	2205116600	2	Nipple
1180	2205139980	1	Pipe	1330	2205118200	2	Seal washer
1185	2205433503	1	Elbow coupling	1331	10859057440	2	Temperature Sensor
1190	2205422600	1	Nylon Tube	1332	1614812602	2	Temperature Sensor cable
1191	2205431414	1	O-ring	1335	2205124080	1	Oil pipe
1192	0663210620	1	O-ring	1336	2205431421	3	O-ring
1195	2205161900	2	Nipple	1340		1	Element
1200	2205442402	1	Timer		1091615780		HY200-7
1205	2205404300	1	Solenoid Valve		1091615880		HY200-8
1210	2205436400	4	Coupling		1091615980		HY200-10
1215	0564330403	1	TEE Malleable cast iron		1091616080		HY200-13
1220	2205438100	2	Elbow coupling	1345		1	Element
1225	2205435300	1	Brass Ball Valve		1091616180		HY250-7
1230	2205125000	1	Cuprum Scroll Pipe		1091616280		HY250-8
1235	2205437100	1	Tee Piping Connector		1091616380		HY250-10
1240	2205122000	1	Cuprum Scroll Pipe		1091616480		HY250-13
1245	2205442900	1	Ball Valve	1350	2205180902	1	Cover
1250	2205438100	2	Elbow coupling	1355	2205180901	1	Box
1255	1089062110	2	Solenoid valve	1360	0663210971	1	Sealing Ring
1260	2205150300	1	Nipple				
1265	2205462100	1	Pressure Difference Sensor				
1270	2205124300	1	Stainless Steel Tube				
1275	2205439300	2	Straight coupling				





1505



1495  
1496

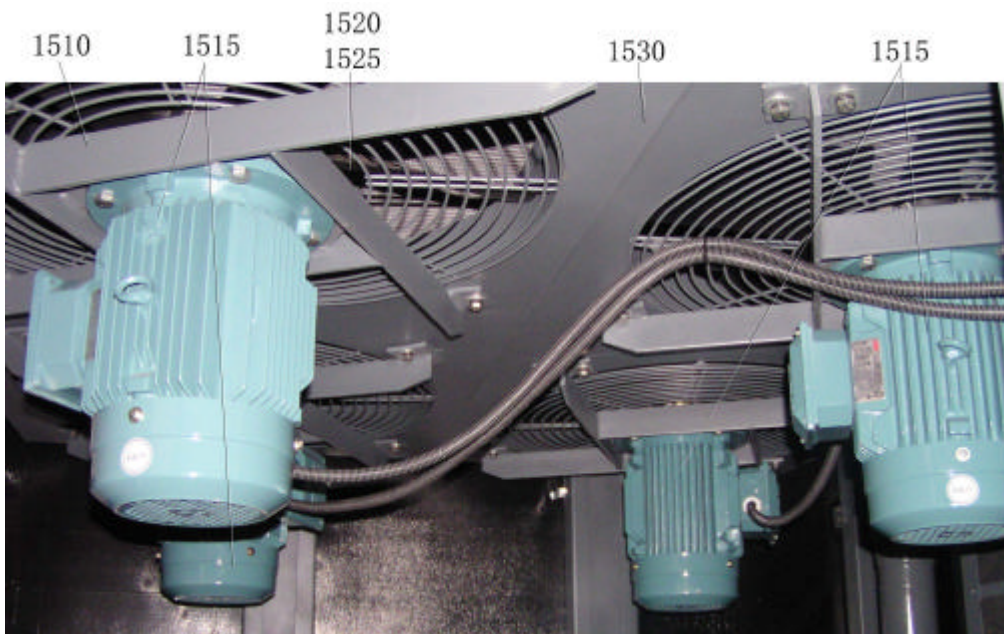
1500

1497



1535

1540



1510

1515

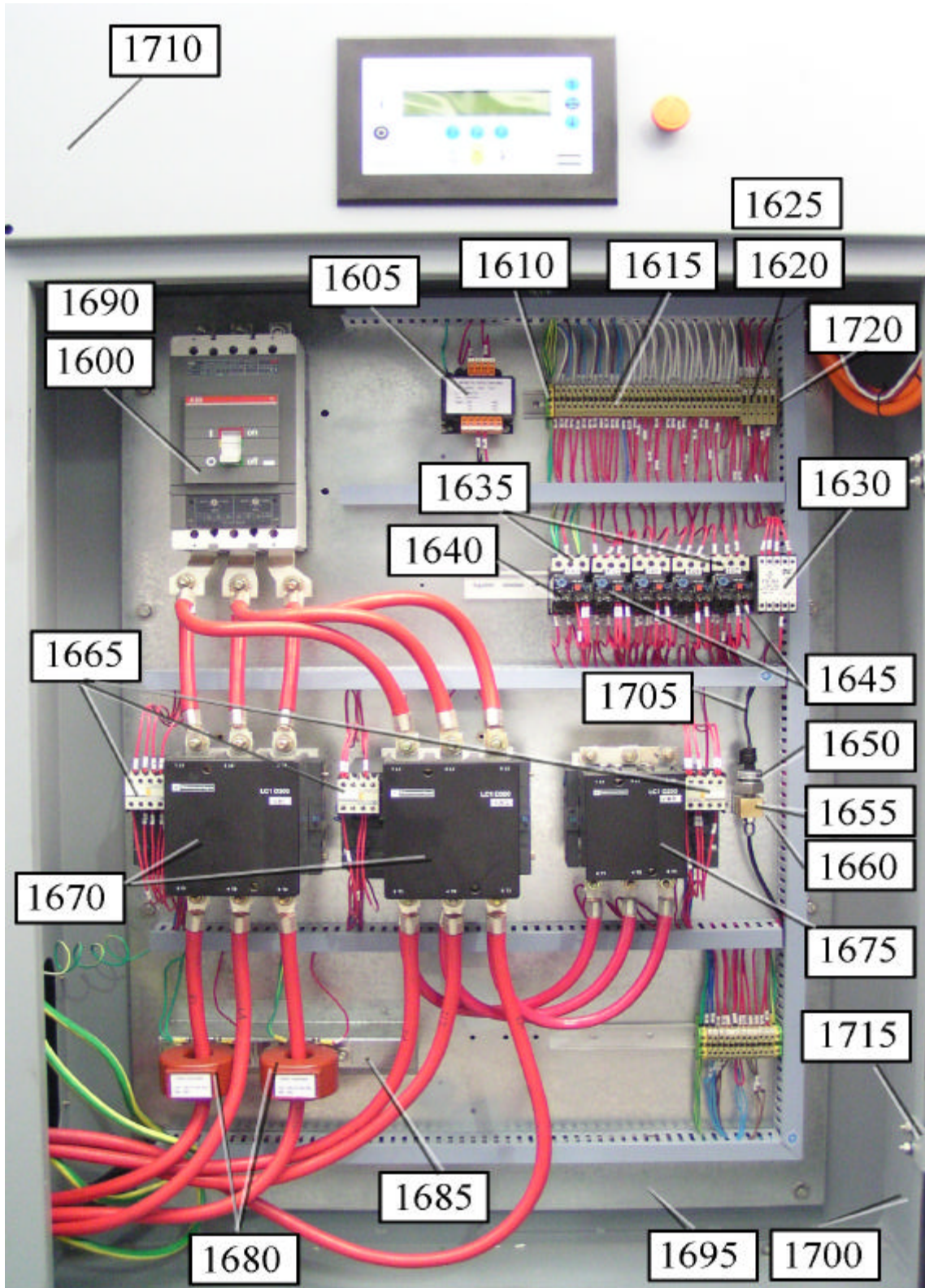
1520  
1525

1530

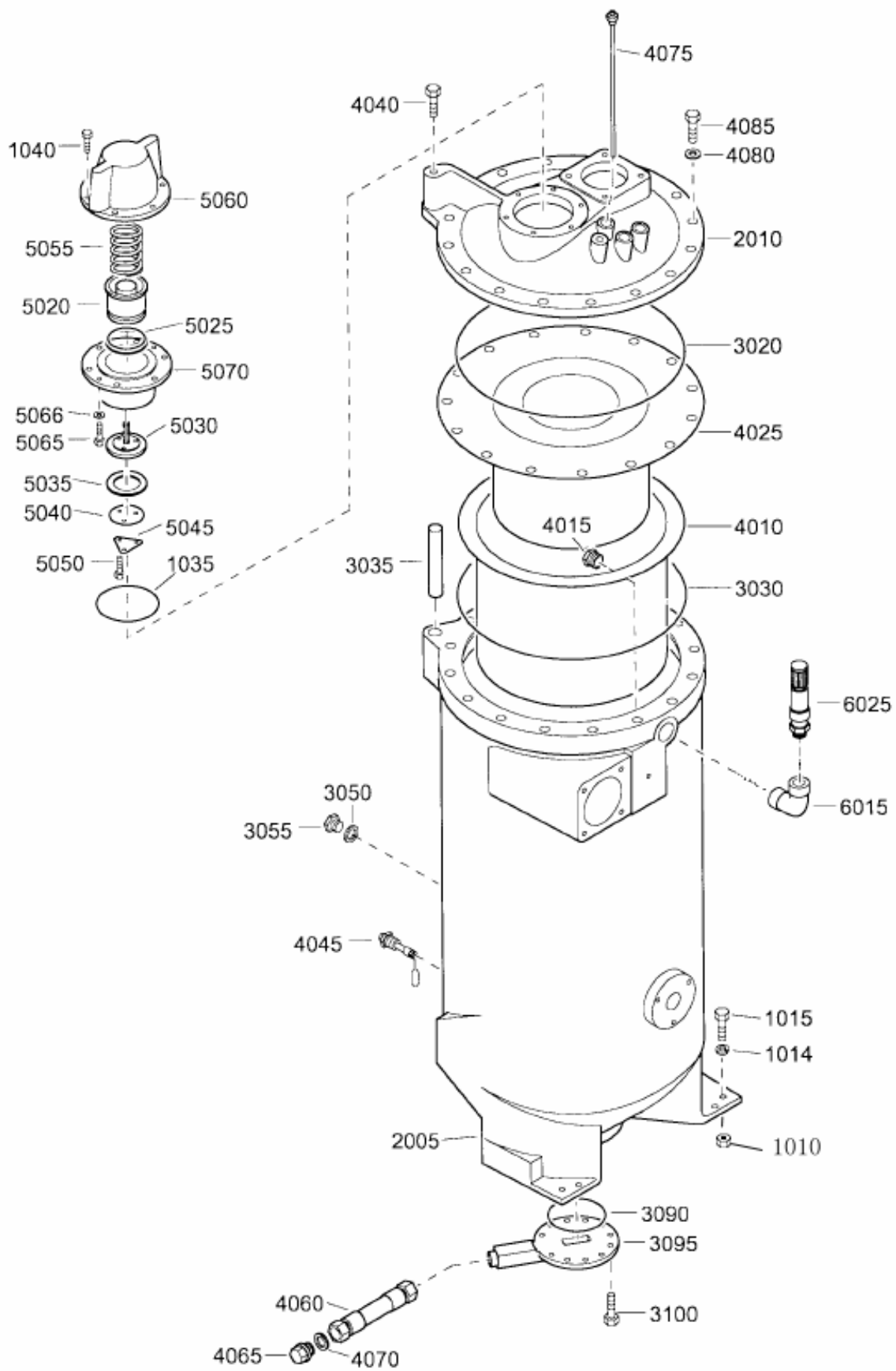
1515

Ref.	Part number	Qty.	Name	Remark	Ref.	Part number	Qty.	Name	Remark
1369	2205139400	1	Sealing Washer		1460	2205433503	1	Elbow coupling	
1370	2205130000	1	Housing		1465	2205433503	1	Elbow coupling	
1375	2205400006	2	Oil Filter		1470	2205151401	1	Filter housing	
1376	2205431421	1	O-ring		1475	2205406200	1	Filter	
1380	2205180891	1	Oil pipe		1480	2205438500	1	Straight coupling	
1385	2205151000	1	Pressure Difference Sensor Seat		1485	2205124291	1	Stainless Steel Tube	
1390	2205460900	1	Pressure Difference Sensor		1490	2205437400	1	Elbow coupling	
1395	2205439100	1	Straight coupling		1495	2205180180	1	Pipe	
1400	2205124302	1	Nylon Tube		1496	2205431414	1	Seal ring	
1405	2205180890	1	Oil Pipe		1497	2205450507	1	washer	
1410	2205127800	1	Oil vessel		1500	2205126320	1	Water Separator	
1415	2205439100	1	Straight coupling		1505	2205433503	1	Elbow coupling	
1420	2205151401	1	Filter housing		1510	2205154480	4	Fan motor support	
1425	2205406200	1	Filter		1515	2205410502	4	Fan motor	
1430	2205438500	1	Straight coupling		1520	2205154300	4	shaft	
1435	2205439100	1	Straight coupling		1525	2205154280	4	Fan	
1440	2205124290	1	Stainless Steel Tube		1530	2205126290	1	Fan box	
1431	22051278006	1	Hose		1535	2205126100	2	Element support	
1432	2205431421	4	O-ring		1540	2205451600	4	Absorber	
1433	22051278007	1	Hose						
1445	2205438500	1	Straight coupling						
1450	2205151401	1	Filter housing						
1455	2205406200	1	Filter						

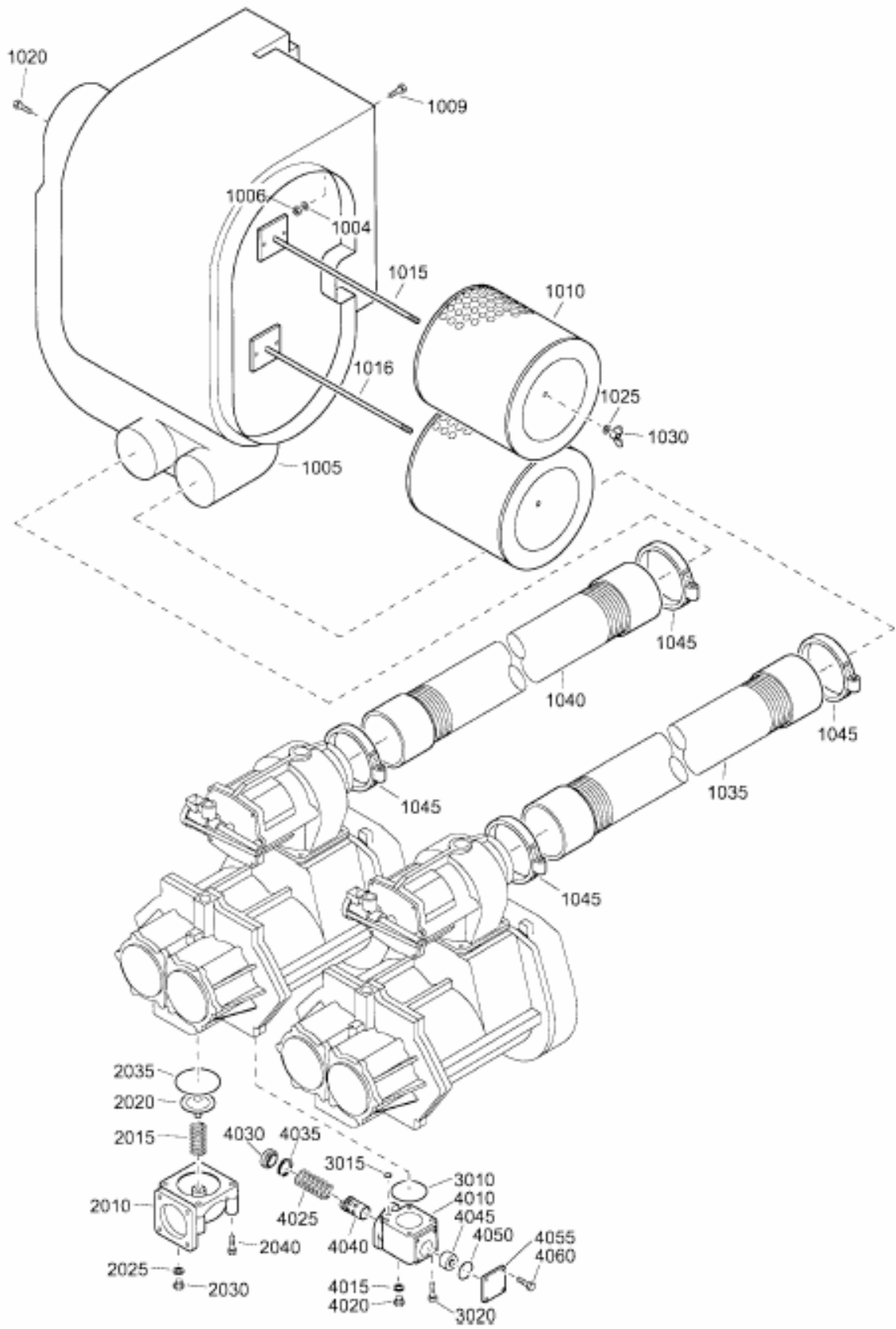




Ref.	Part number	Qty.	Name	Remark	Ref.	Part number	Qty.	Name	Remark
1600	2205415737	1	CIRCUIT	HY250	1605	2205413300	1	TRANSFORMER	
	2205415736		BREAKER	HY200					
1610	2205484700	3	TERMINAL		1615	2205419500	59	TERMINAL	
1620	2205412900	5	FUSE SUPPORT		1625	2205417008	5	FUSE	
1630	2205483700	1	PHASE SEQUENCE RELAY		1635	2205418100	5	THERMAL RLAY ADAPTER	
1640	2205415805	1	THERMAL RLAY		1645	2205415806	4	THERMAL RLAY	
1650	108905728	1	PRESSURE SENSOR		1655	2205134410	1	COUPLING	
1660	2205134500	1	SUPPORT		1665	2205414702	3	CONTACT	
1670	2205419134	2	CONTACTOR	HY250	1675	2205419120	1	CONTACTOR	HY250
	2205419124			HY200		2205419119			HY200
1680	2205410902	2	CURRENT	HY250	1685	2205125700	1		
	2205410901		TRANSFORMER	HY200				SUPPORT	
1690	2205139517	1	SUPPORT		1695	2205139514	1	FIX PLATE	
1700	2205129581	1	BOX		1705	1614851901	1	SENSOR CABLE	
1710	2205412500	2	FAN		1715	2205181290	2	LOOSE-LEAF	
1720	2205445300	1	FIXER						

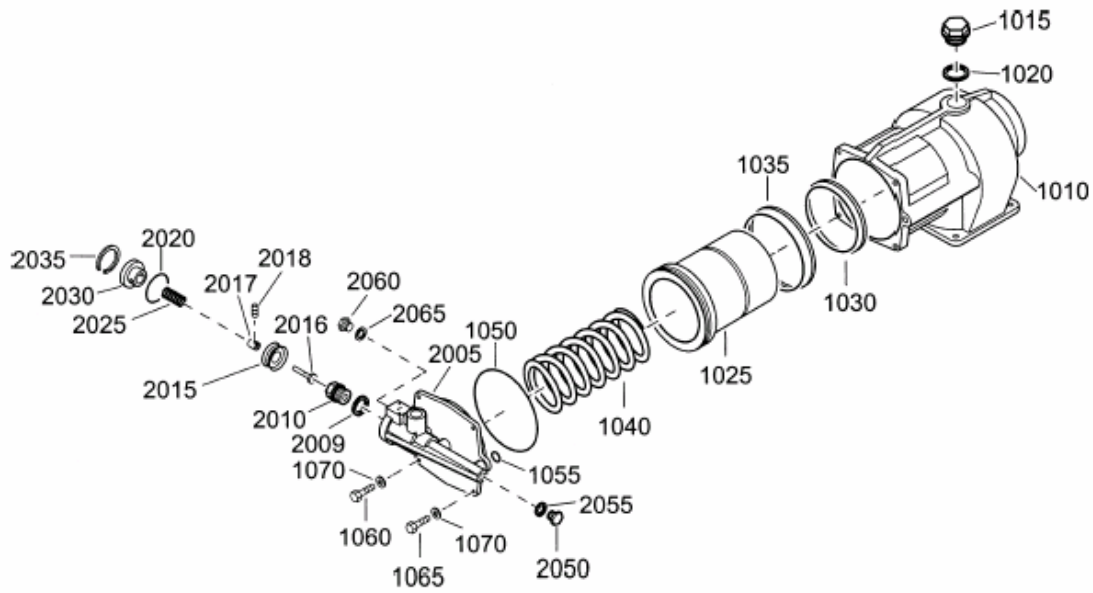


Ref.	Part number	Qty.	Name	Ref.	Part number	Qty.	Name
1010	0266211200	6	Hexagon nut		<b>1614952380</b>	1	<b>Min.press.valve</b>
1014	0333217421	6	Spring washer	5020	1614727700	1	Piston
1015	0147140303	6	Bolt	5025	1619619900	1	Seal ring
1035	0663210658	1	O-ring	5030	1614727600	1	Check valve
1040	0147136503	6	Bolt	5035	1614727900	1	Washer
2005	2205125850	1	Vessel	5040	1614728100	1	Washer
2010	1614952218	1	Valve housing	5045	2254921500	1	Lock plate
3020	0663210945	1	O-ring	5050	0147132203	3	Bolt
3030	0663210945	1	O-ring	5055	1614728000	1	Compr. spring
3035	1614908900	1	Pivot pin	5060	1614952300	1	Cover
3050	2205431411	1	O-ring	5065	0147195897	2	Bolt
3055	2205139420	1	Plug screw	5066	0301233500	2	Washer
3090	0663210620	1	O-ring	5070	1614952400	1	Sleeve
3095	1614900300	1	Cover	6015	2205195790	1	Elbow
3100	0147196229	11	Bolt	6025		1	Safety valve
4010	1614981600	1	Shield		2205400409		HY200-7
4015	1614952000	1	Bushing				HY200-8
4025	1614952100	1	Oil sep. element				HY250-7
4040	0147147903	1	Bolt				HY250-7
4045	1614918400	1	Level gauge		2205400410		HY200-10
4060	1621914400	1	House assembly				HY250-10
4065	1615914900	1	Plug		2205400411		HY200-13
4070	0661100029	1	Seal washer				HY250-13
4075	1614952500	1	Suction pipe				
4080	0333217431	16	Washer				
4085	0147196245	16	Bolt				

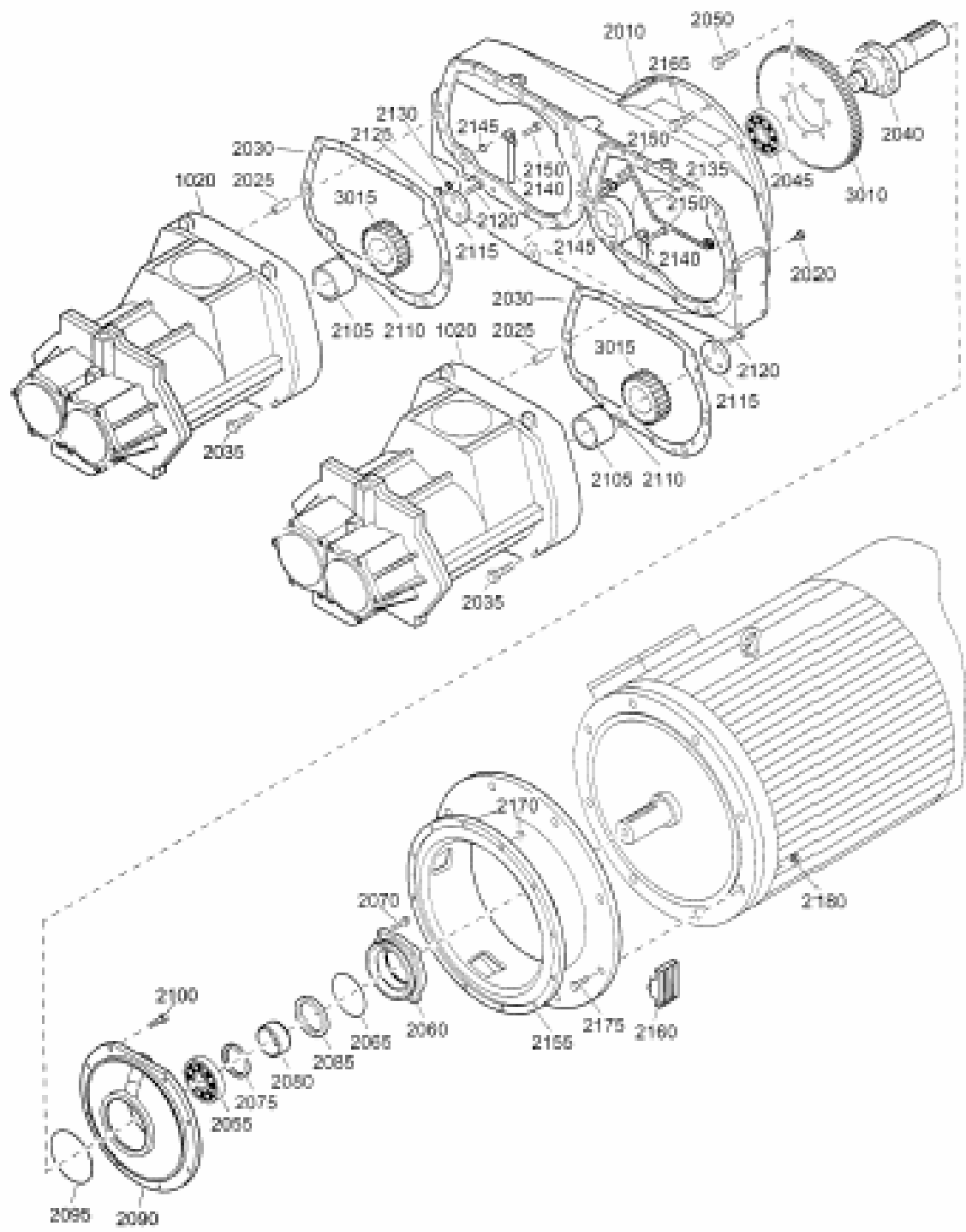


Ref.	Part number	Qty.	Name
1004	0301233500	2	Washer
	<b>1614951580</b>	<b>1</b>	<b>Filer housing</b>
1005	1614951500	1	Filer housing
1006	0266211000	2	Nut
1009	1079147206	7	Bolt
1010	1030097900	2	Air filter
1015	1614958702	1	Rod
1016	1614958703	1	Rod
1020	0147132303	4	Bolt
1025	0301235800	2	Washer
1030	0296111202	2	Wing nut
1035	2205151500	1	Hose
1040	2205151500	1	Hose
1045	2205431104	4	Hose clip
2010	1614642500	2	Housing
2015	2254807500	2	Compr. spring
2020	2254532400	2	Check valve
2025	0661100025	4	Seal washer

Ref.	Part number	Qty.	Name
2030	0686371601	4	Plug
2035	0663210620	2	O-ring
2040	0147141703	8	Bolt
3010	0663210615	2	O-ring
3015	0663210812	2	O-ring
3020	0147137903	8	Bolt
	<b>1614918580</b>	<b>2</b>	<b>Oil stop valve</b>
4010	1614918500	1	Valve housing
4015	0661100025	1	Seal washer
4020	0686986800	1	Plug
4025	2254986800	1	Compr. spring
4030	2252626900	1	Spring guide
4035	0335214500	1	Int.circlip
4040	2255275100	1	Valve
4045	2255281300	1	Piston
4050	0663210612	1	O-ring
4055	1614912000	1	Cover
4060	0147132503	3	Bolt

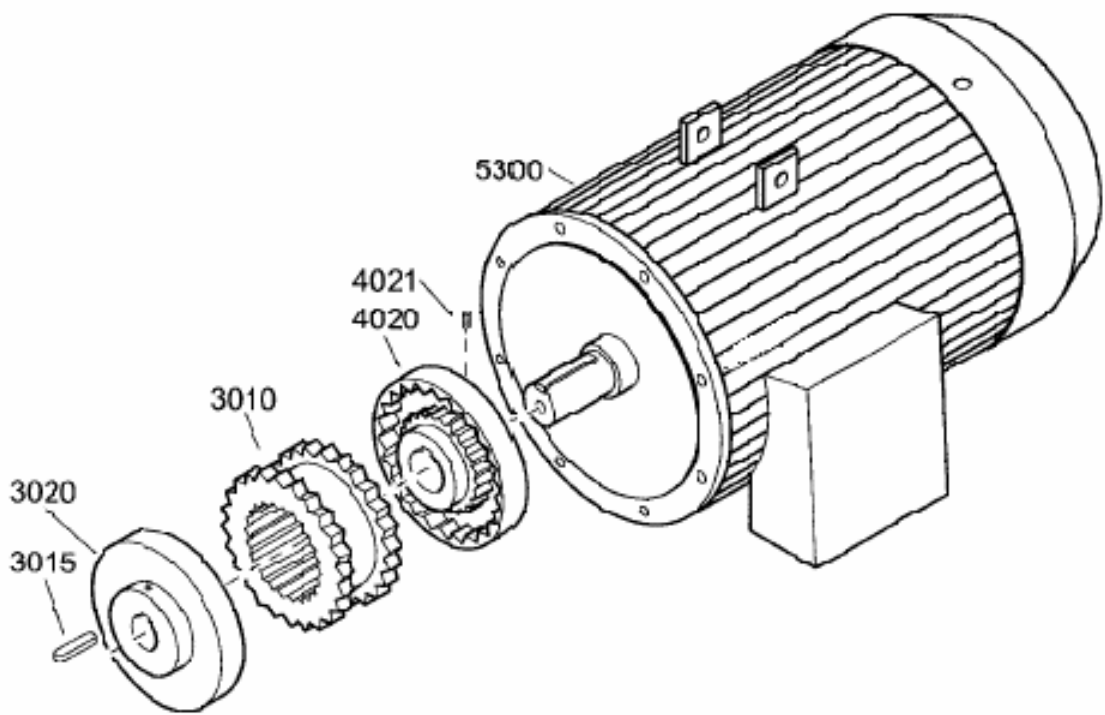


Ref.	Part number	Qty	Name	Remarks	Ref.	Part number	Qty	Name	Remarks
	<b>1614 9008 80</b>	<b>1</b>	<b>Unloader assembly</b>		2009	0661 1000 36	•• 1	Seal washer	
1010	1614 9008 00	• 1	Valve housing		2010	1614 9154 00	•• 1	Valve seat	
1015	2250 2528 00	• 1	Plug screw		2015	1621 9133 00	•• 1	Piston	
1020	0661 1000 31	• 1	Seal washer		2016	1621 9146 00	•• 1	Pin	
1025	1614 9173 00	• 1	Valve		2017	1621 9145 00	•• 1	Bushing	
1030	1619 6142 00	• 1	Sealring		2018	0196 1552 98	•• 1	Set screw	
1035	1619 6143 00	• 1	Sealring		2020	0663 9868 00	•• 1	O-ring	
1040	1614 9282 00	• 1	Spring		2025	1614 9156 00	•• 1	Spring	
1050	0663 2109 71	• 1	O-ring		2030	1621 9136 00	•• 1	Cover	
1055	0663 2109 73	• 2	O-ring		2035	0335 2150 00	•• 1	Circlips	
1060	0147 1326 03	• 2	Bolt		2050	0686 3716 38	•• 1	Plug	
1065	0147 1958 97	• 2	Bolt		2055	0653 9078 00	•• 1	Flat gasket	
1070	0301 2335 00	• 4	Washer		2060	0686 4201 03	•• 1	Plug	
	<b>1614 9177 80</b>	<b>• 1</b>	<b>Cover assembly</b>		2065	0653 0500 08	•• 1	Flat gasket	
2005	1614 9177 00	•• 1	Valve cover						



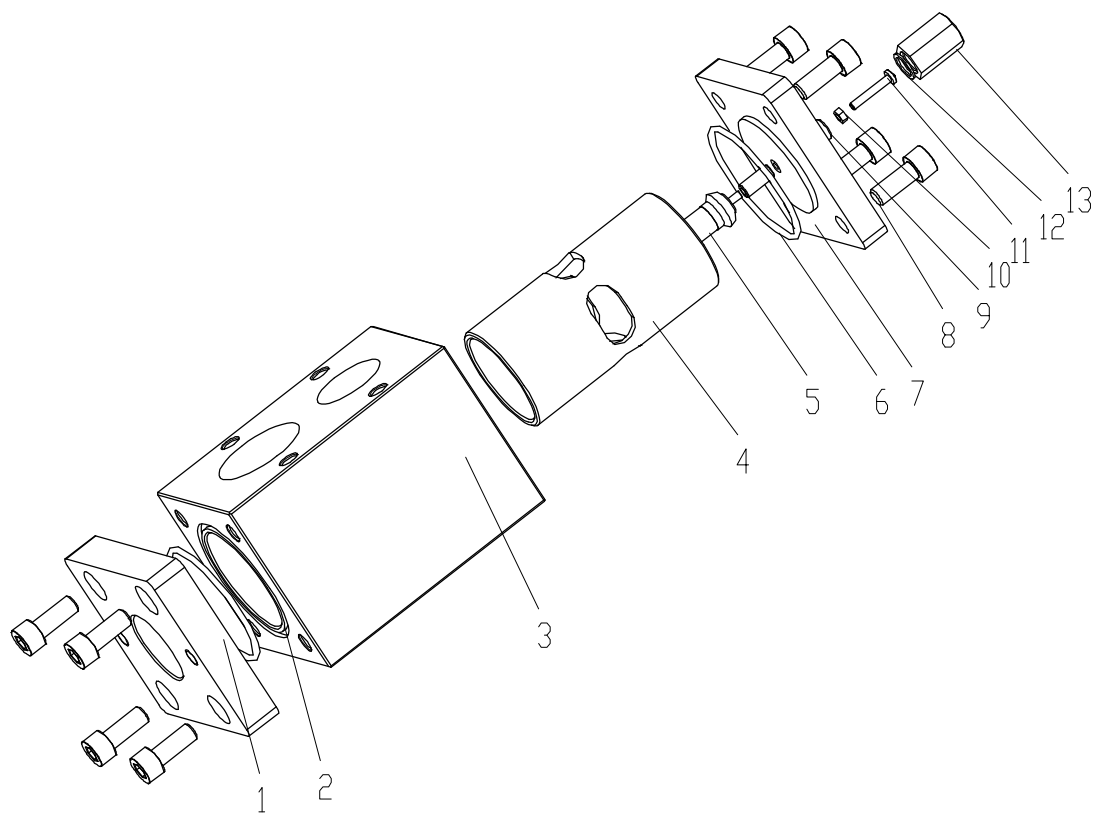


Ref.	Part number	Name	Qty.	Ref.	Part number	Name	Qty.
1020	2989012200	Service stage	2	2175	0147196036	Bolt	8
2010	1616551400	Gear casing	1	2180	0266211600	Nut	8
2020	1619603200	Nipper	1	3010		Gear wheel	1
2025	0101162600	Pin	4		1614967000	HY200-7	
2030	1616555100	Gasket	2		1614967200	HY250-7	
2035	014713803	Bolt	36		1614967400	HY200-8	
2040	1616552000	Drive shaft	1		1614967600	HY250-8	
2045	0506210900	Roller bearing	1		1614967800	HY200-10	
2050	0211140700	Cap screw	10		1614968000	HY250-10	
2055	0506010008	Roller bearing	1		1614968200	HY200-13	
2060	1616551500	Retainer	1		1614968400	HY250-13	
2065	0663210776	O-ring	1	3015		Gear wheel	2
2070	0147136403	Bolt	4		1614967100	HY200-7	
2075	1616551800	Washer	1		1614967300	HY250-7	
2080	1616551900	Bushing	1		1614967500	HY200-8	
2085	1614950600	seal	1		1614967700	HY250-8	
2090	1616551600	Bearing housing	1		1614967900	HY200-10	
2095	0663210828	O-ring	1		1614968100	HY250-10	
2100	0147136503	Bolt	8		1614968300	HY200-13	
2105	2254883100	bushing	2		1614968500	HY250-13	
2110	0337607400	Parallel	2				
2115	2252547000	Washer	2				
2120	0211140900	Cap screw	6				
2125	0686371602	Plug	3				
2130	0661100027	Seal washer	3				
2135	1616624800	Oil pipe	1				
2140	1616624700	Drain pipe	2				
2145	0663210973	O-ring	3				
2150	0147124403	Bolt	4				
2155		Coupling housing	1				
	1614679500	HY200-7~13	1				
	2205125300	HY250-7~13	1				
2160	1614661100	Grating	3				
2165	0147136803	Bolt	12				
2170	0266211100	Nut	12				



### Coupling

Ref.	Part number	Name	Qty	Ref.	Part number	Name	Qty.
3010	1614 8738 00	flexible coupling	1	5300		Motor	1
3015	0337000912	parallel key	1		2205125505	HY200-7~13	
3020	2255019613	coupling half	1		2205125506	HY250-7~13	
4020	2255019604	coupling half	1				
4021	0196136000	SCREW	1				



**Thermostatic Valve 2205190900**

Ref.	Part number	Name	Qty	Ref.	Part number	Name	Qty.
1	2205 1909 01	Flange	1	8	0211 1362 03	bolt	8
2	2205 1909 02	Spring	1	9	2205 1909 06	nipple	1
3	2205 1909 03	body	1	10	026 62106 00	nut	1
4	2205 1909 04	piston	1	11	2205 4629 03	Screw	1
5	2205 4629 06	sensor	1	12	2205 4629 02	washer	1
6	2205 4314 22	O RING	2	13	2205 4629 01	cover	1
7	2205 1909 05	FLANGE	1				